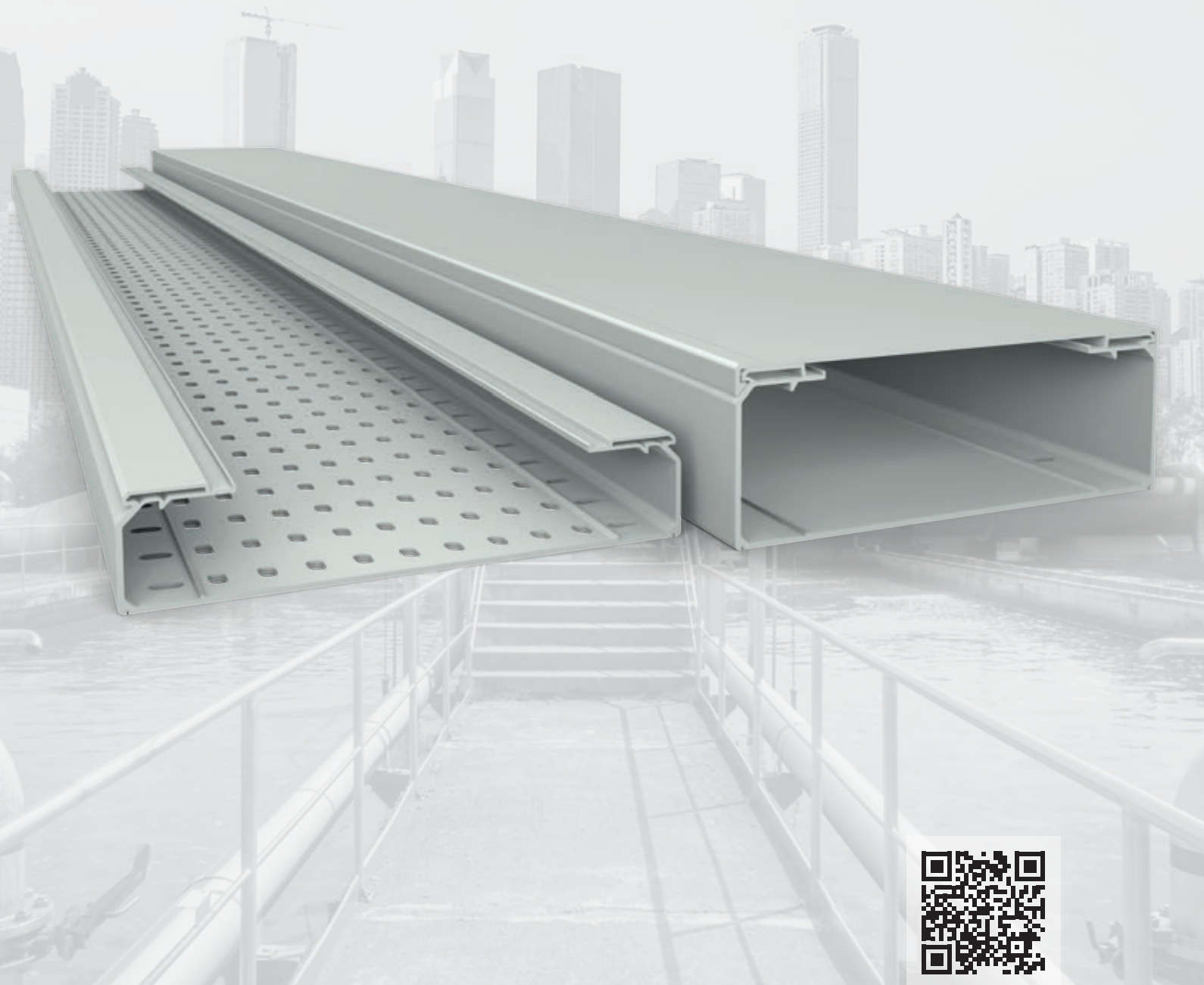




INSULATING CABLE TRAYS SYSTEM

metatray[®]

PRODUCT RANGE CATALOGUE



metatray[®]



A **step forward** on insulating cable trays



metatray®
General assembly diagram

04-05



metatray®
General features and application sectors. Differentiating features

06-07



Selection Guide: Insulating cable trays, supports and accessories

08-09



Product references and installation instructions

10-23



Technical data and certifications

24-29



Additional features

30



Applications by sector

31

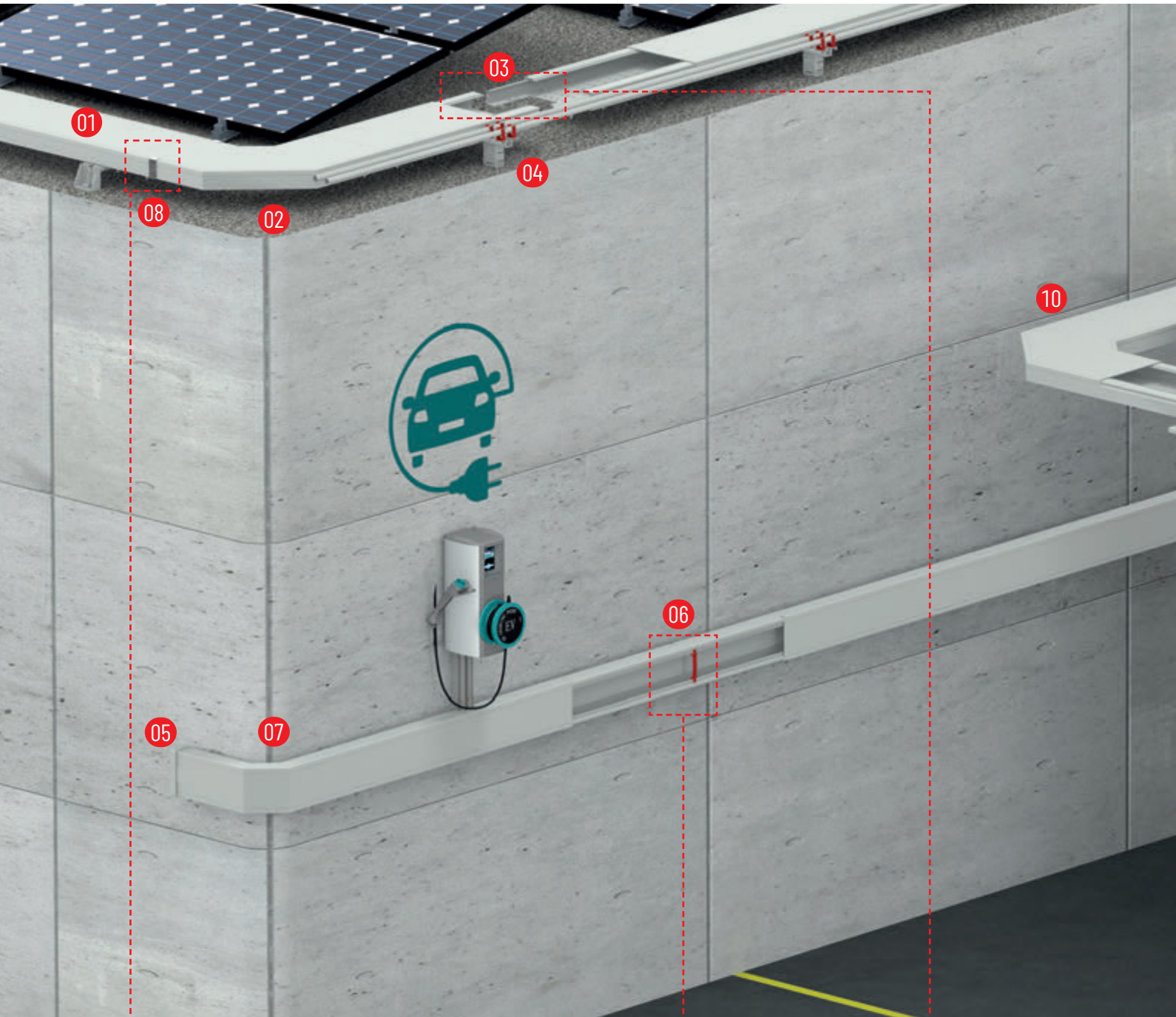


metatrays

pemsa

metatrays®

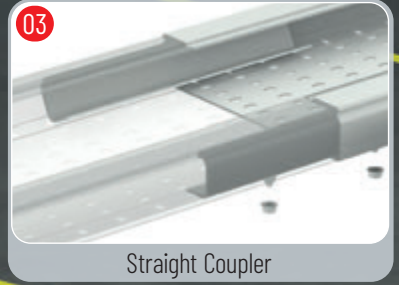
One step forward on insulating cable trays



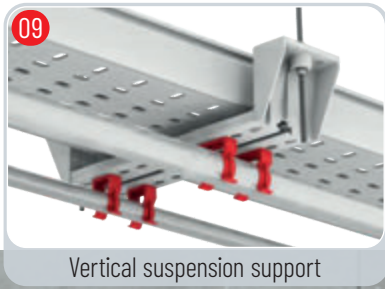
Cover Fixing



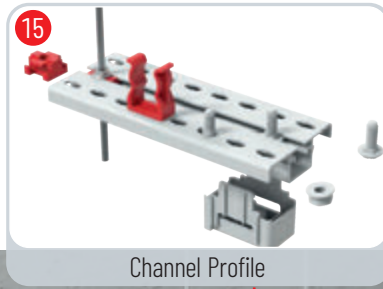
Cover retainer



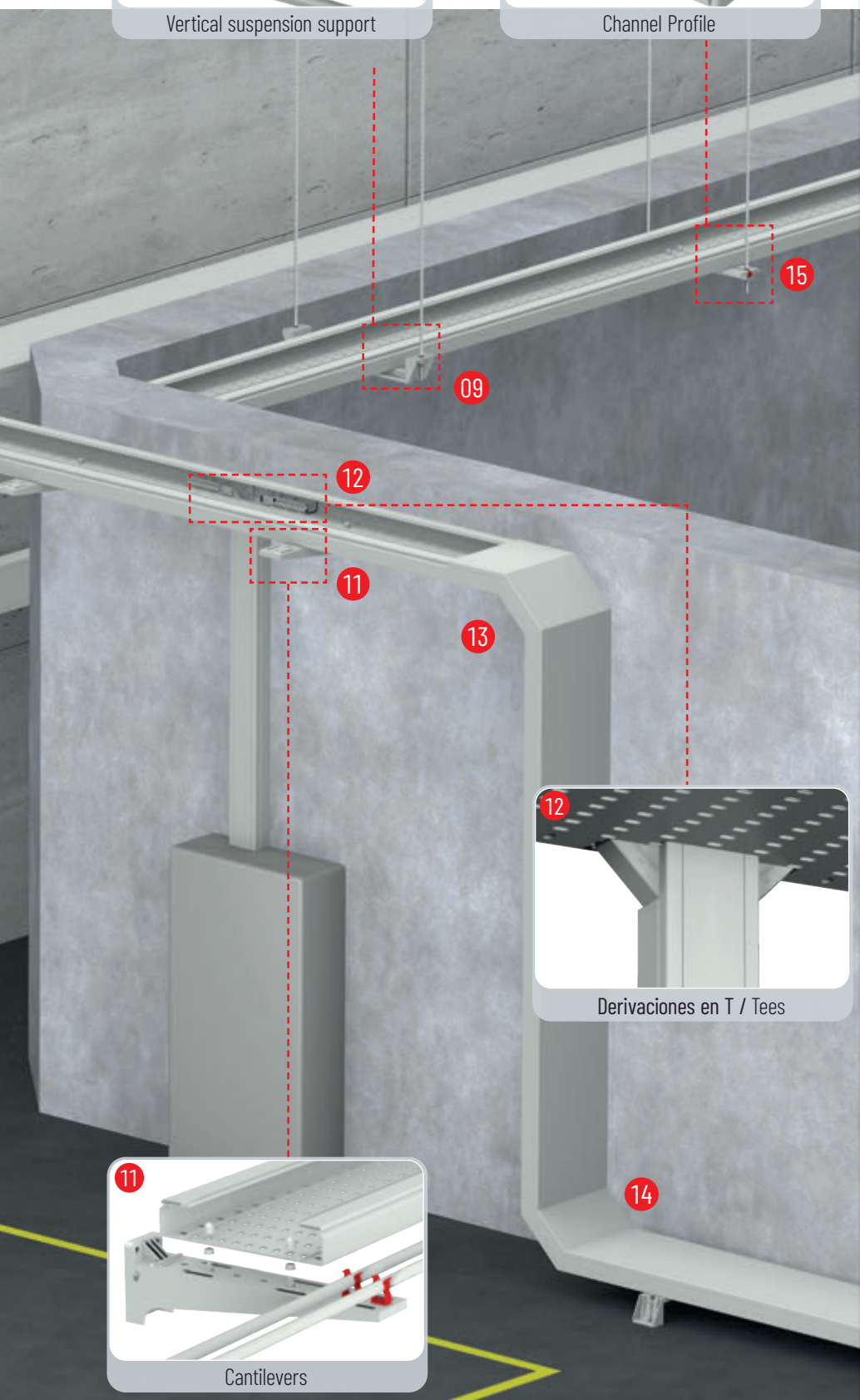
Straight Coupler



Vertical suspension support



Channel Profile



Cantilevers



Derivaciones en T / Tees

Quality marks and certifications



International standard of cable trays



International standard of cable trunking



AENOR N Mark



CE conformity, directive 2014/35/UE



CE mark

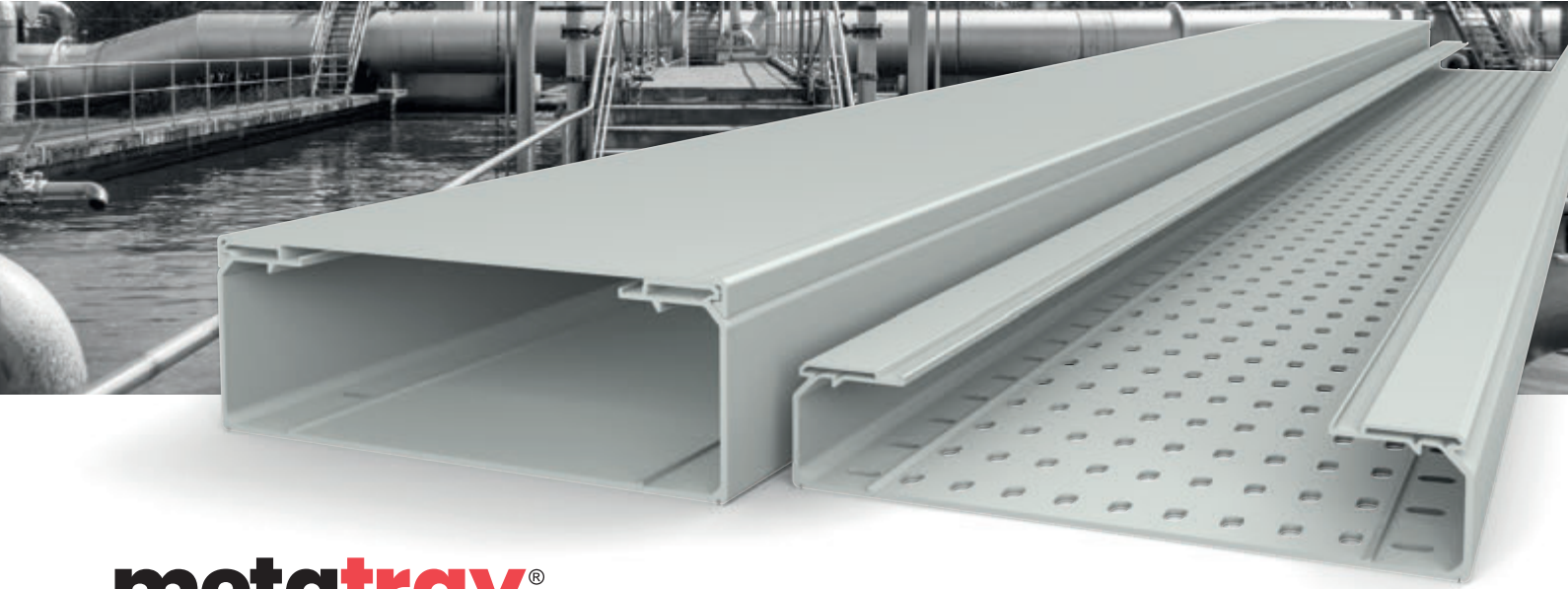


UKCA conformity



WEEE 2012/19/UE

01	+	☺	29
02	+	☺	20
03	+	☺	12
04	+	☺	18
05	+	☺	22
06	+	☺	16
07	+	☺	12
08	+	☺	14
09	+	☺	29
10	+	☺	20
11	+	☺	29
12	+	☺	22
13	+	☺	22
14	+	☺	20
15	+	☺	18



metatray®

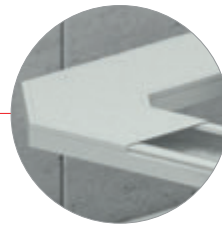
Insulating perforated and solid cable trays

General features and application sectors

Wide range of accessories with a large number of applications



Excellent performance in corrosive environments, weathering and radiation exposure



Maximum functionality and adaptability to different spaces and environments



Insulating material. Electrical safety and reduced maintenance costs

Environmentally friendly. Recyclable material. Sustainable packaging



Patented system. Innovation and own product development



Renewable energies



Service and Retail construction



Water treatment



Electric vehicle



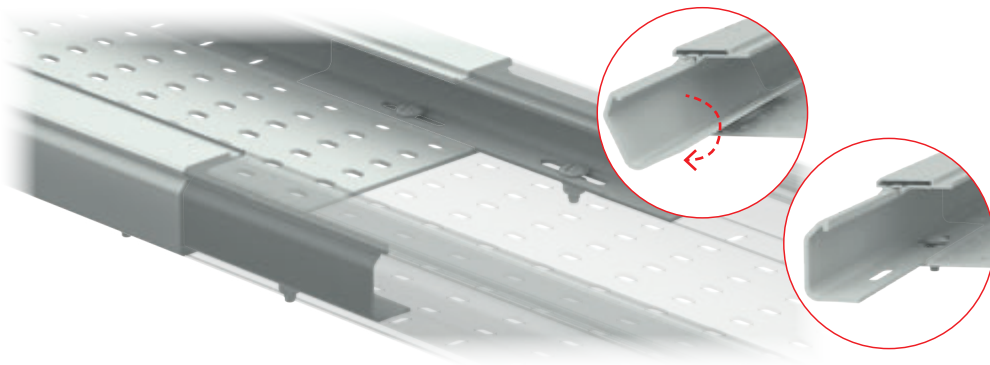
Marine Industry



Petrochemical Industry



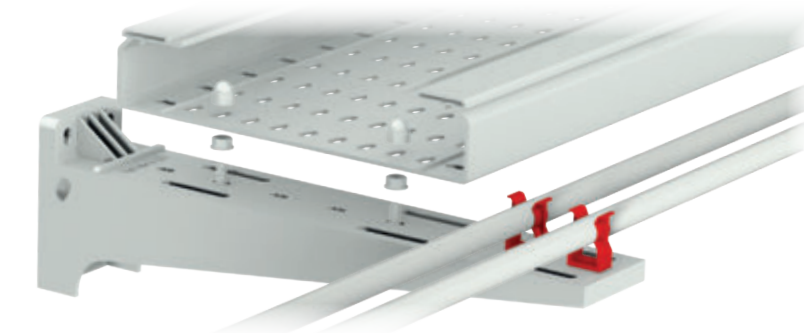
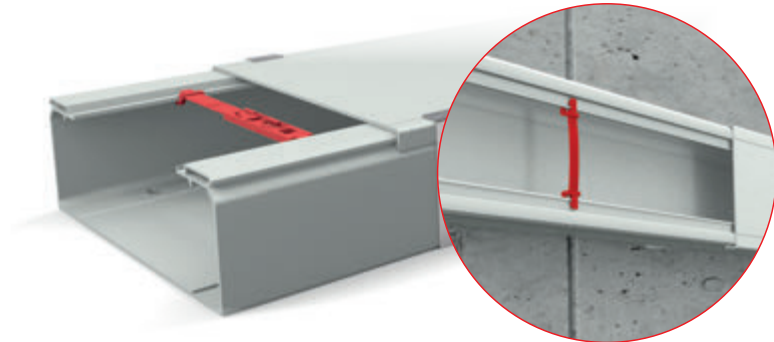
Differentiating features



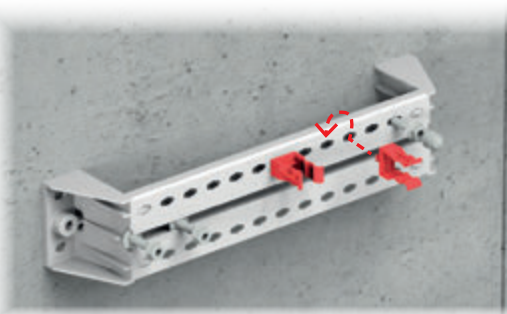
Snap-on and prefixed jointing system for quick connection

Cover retainer

Prevents deformation due to temperature gradients and facilitates the removal/assembly of the covers

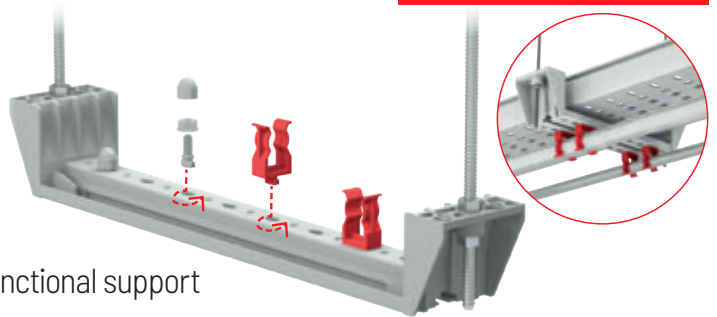


Cantilevers with perforations for Conduit Clips and Clip Joint Kits



Multifunctional support

Vertical installation, suspension and floor installation + conduit fixing on the base










Channel designed to fit accessories












Selection Guide: Insulating cable trays, supports and accessories.



⊞	⊞			Joints				
								
		Perforated cable tray	Insulating solid cable tray	Coupler	Joint kit	Reinforced base joint	Corner joint	Vertical hinge
60	100	82003611	82003651	82003672	81000298	-	81000282	81000284
	150	82003642	82003652					
	200	82003643	82003653					
	300	82003644	82003654					
	400	82003645	82003655					
100	200	82003646	82003656	82003673	81000298	-	81000283	81000285
	300	82003647	82003657					
	400	82003648	82003658					
	500	82003649	82003659					
	600	82003650	82003660					
⊞		⊞ 10	⊞ 11	⊞ 12	⊞ 12	⊞ 12	⊞ 12	⊞ 14

⊞	⊞			Supports		Assembly		
								
		Perforated cable tray	Insulating solid cable tray	Channel	Elevating foot	Strut plug	Clip joint	Insulating protector
60	100	82003611	82003651	L=1 m 82003670	81000294	81000295	81000297	81000401
	150	82003642	82003652					
	200	82003643	82003653					
	300	82003644	82003654					
	400	82003645	82003655					
100	200	82003646	82003656	L= 2m 82003671	81000294	81000295	81000297	81000401
	300	82003647	82003657					
	400	82003648	82003658					
	500	82003649	82003659					
	600	82003650	82003660					
⊞		⊞ 10	⊞ 11	⊞ 18	⊞ 18	⊞ 18	⊞ 18	⊞ 18



Selection Guide: Insulating cable trays, supports and accessories.

metatray®

Joins	Supports		Assembly				
Riser/dropper	Cantilever	Suspension vertical support	Cover	Cover fixing	Cover retainer	Divider	Conduit fixing clip
81000286	81000270	82003674	82003663	81000296	81000351	82003661	DN16 81000277
	81000271	82003675	82003664		81000291		DN20 81000278
	81000272	82003676	82003665		81000292		DN25 81000279
	81000273	82003677	82003666		81000292		DN32 81000280
	81000274	82003678	82003667		81000293		DN40 81000281
81000287	81000272	82003676	82003665	81000311	81000292	82003662	DN16 81000277
	81000273	82003677	82003666		81000292		DN20 81000278
	81000274	82003678	82003667		81000293		DN25 81000279
	81000275	82003679	82003668		81000293		DN32 81000280
	81000276	82003680	82003669		81000293		DN40 81000281
⊕ 14	⊕ 29	⊕ 29	⊕ 14	⊕ 14	⊕ 16	⊕ 14	⊕ 18

Cable tray accessories

90° bend	90° bend cover	Outside riser	Outside riser cover	Inside riser	Inside riser cover	T-joint	End cover
82003722	82003732	82003688	82003698	82003705	82003715	81000288	82003681
82003723	82003733	82003689	82003699	82003706	82003716		82003682
82003724	82003734	82003690	82003700	82003707	82003717		82003683
82003725	82003735	82003691	82003701	82003708	82003718		82003684
82003726	82003736	82003692	82003702	82003709	82003719		82003685
82003727	82003734	82003693	82003700	82003710	82004064	81000289	82003686
82003728	82003735	82003694	82003701	82003711	82004065		82003687
82003729	82003736	82003695	82003702	82003712	82004066		82003739
82003730	82003737	82003696	82003703	82003713	82003720		82003740
82003731	82003738	82003697	82003704	82003714	82003721		82003741
⊕ 20	⊕ 20	⊕ 20	⊕ 20	⊕ 22	⊕ 22	⊕ 22	⊕ 22



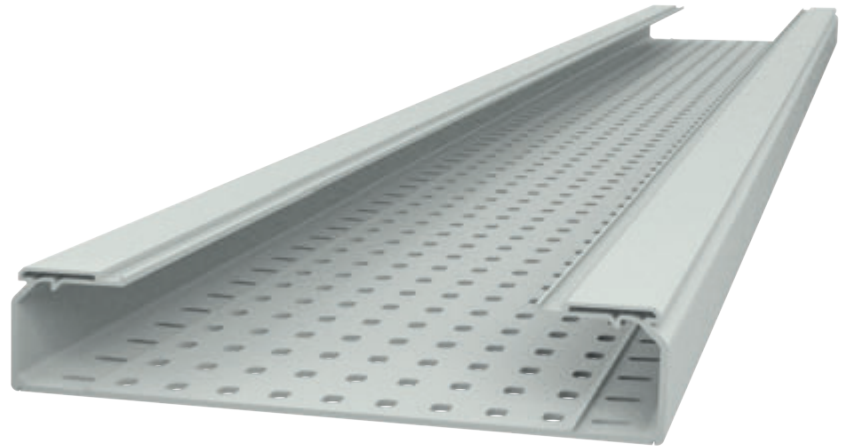
metatray

pemsa

metatray®

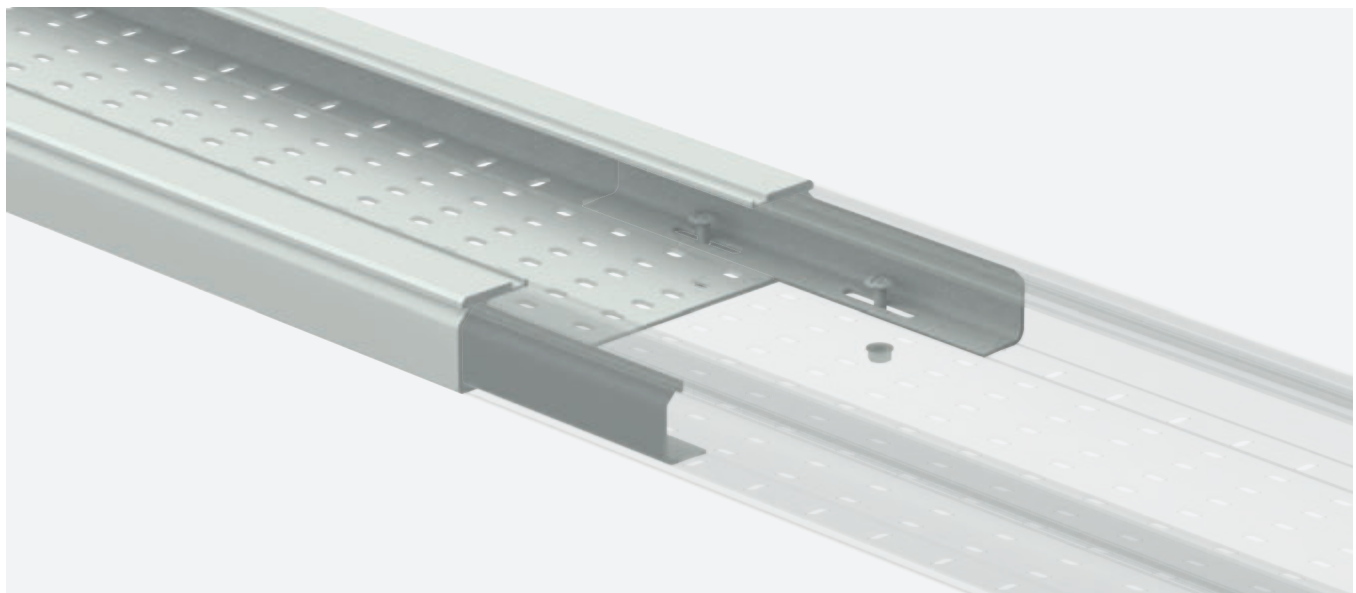
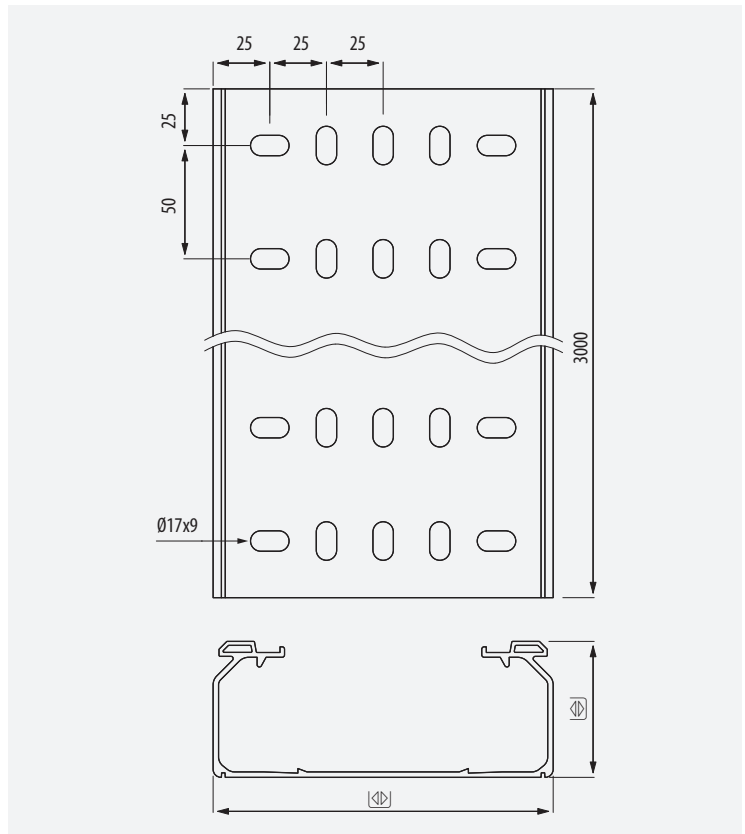
Insulating perforated cable tray

60, 100 • 100-600 • 3000



ETIM: EC000047

60-100 • 100-600				
60	100	Ref	kg/m	3000
60	100	82003611	1,070	24
	150	82003642	1,340	12
	200	82003643	1,710	12
	300	82003644	2,600	12
	400	82003645	3,160	6
100	200	82003646	2,560	6
	300	82003647	3,360	6
	400	82003648	4,270	6
	500	82003649	5,240	6
	600	82003650	6,420	6





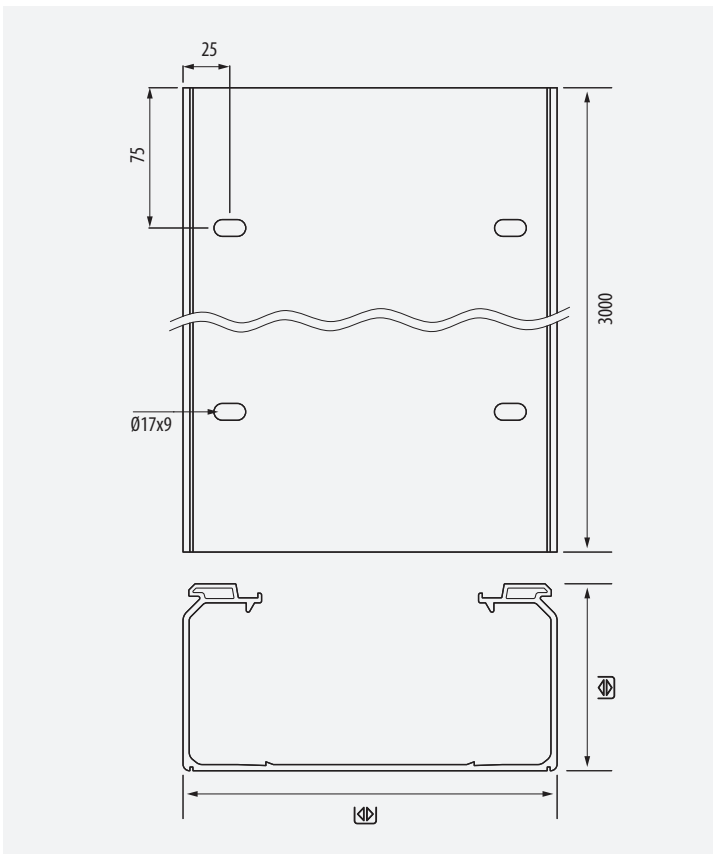
metatray®

Insulating solid cable tray

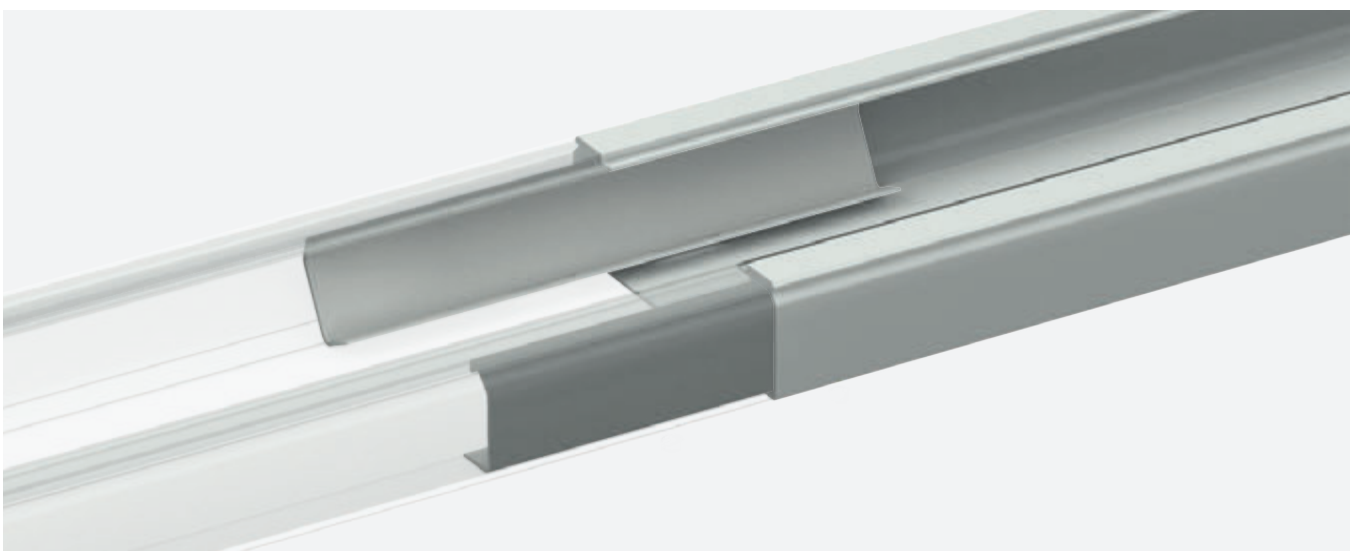
⊞ 60, 100 • ⊞ 100-600 • ⊞ 3000



ETIM: EC000047



⊞ • ⊞ 60-100 • ⊞ 100-600				
⊞	⊞	Ref	kg/m	⊞
60	100	82003651	1,100	24
	150	82003652	1,390	12
	200	82003653	1,780	12
	300	82003654	2,750	12
	400	82003655	3,370	6
100	200	82003656	2,660	6
	300	82003657	3,530	6
	400	82003658	4,520	6
	500	82003659	5,570	6
	600	82003660	6,860	6



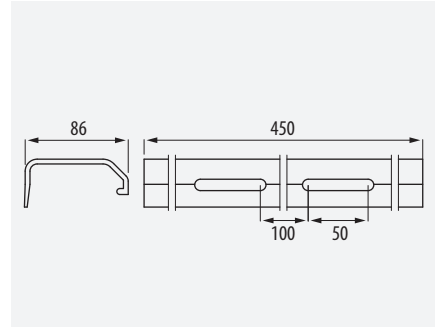


Coupler



☐ • ⊕ 60-100			
⊕	Ref	kg/u	☐
60	82003672		50
100	82003673		20

ETIM: EC002413

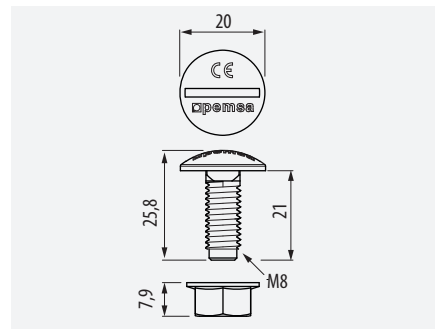


Joint kit M8



M	Ref	kg/u	☐
M8	81000298	0,003	100

ETIM: EC002935

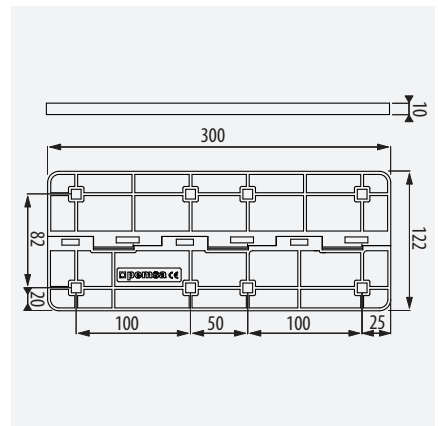


Reinforced base joint



Ref	kg/u	☐
81000290	0,270	6

ETIM: EC002413

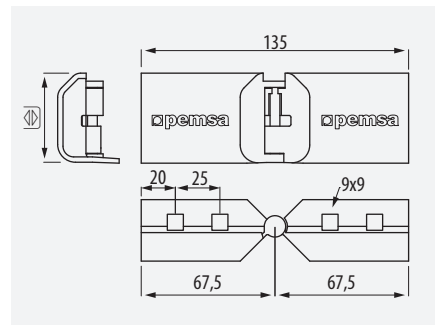


Corner joint



☐ • ⊕ 60-100			
⊕	Ref	kg/u	☐
60	81000282	0,050	8
100	81000283	0,139	8

ETIM: EC002413





2	4

Secure fixing

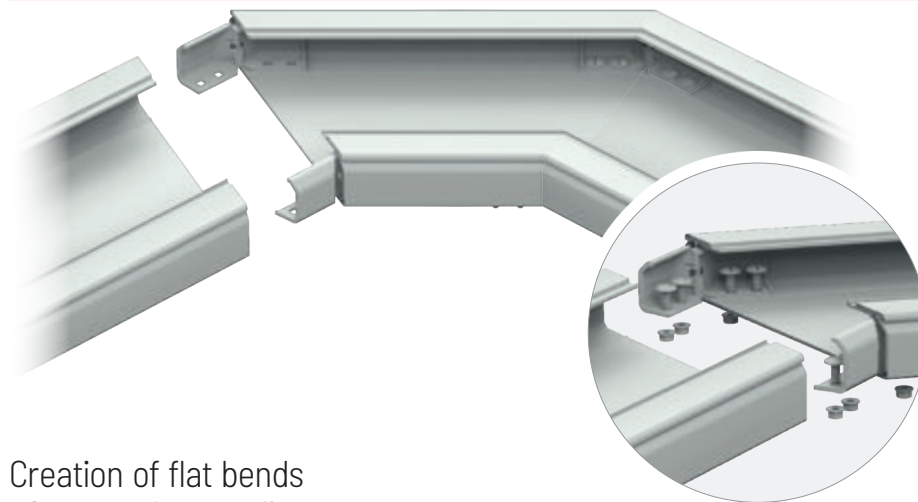
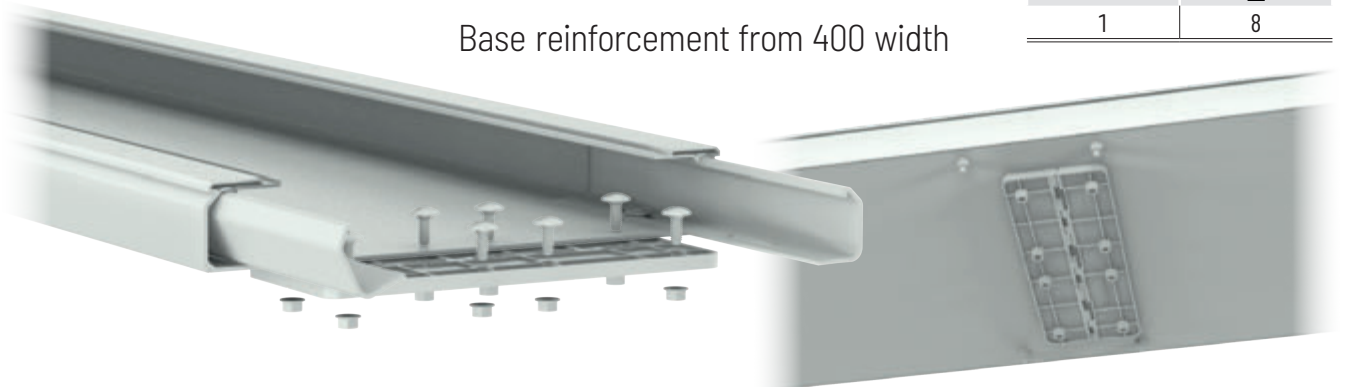


Snap-on and prefixed jointing system for quick connection

100-150	x1
200-400	x2
500-600	x3

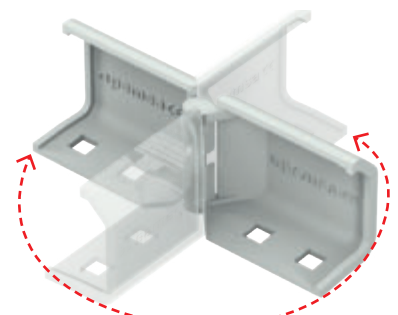
Base reinforcement from 400 width

1	8



60-100	4

Creation of flat bends of any angle or radius



+90° <-> -90°

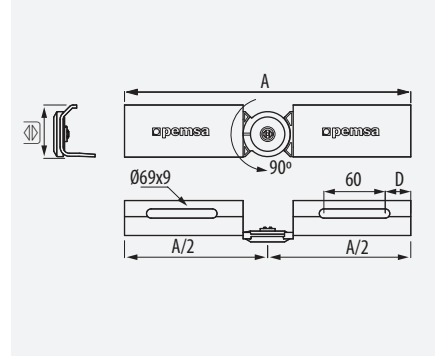


Vertical hinge



60-100					
⊕	A	D	Ref	kg/u	⊞
60	280	33	81000284	0,094	12
100	384	22	81000285	0,287	12

ETIM: EC002413

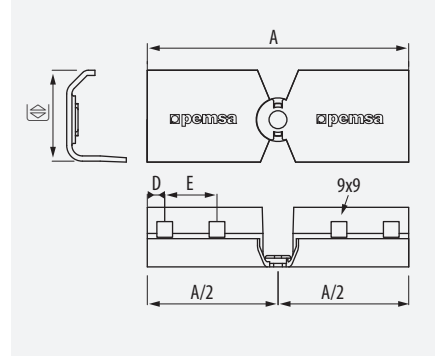


Riser/dropper



60-100						
⊕	A	D	E	Ref	kg/u	⊞
60	159	15	30	81000286	0,053	8
100	195,4	22,1	40	81000287	0,136	8

ETIM: EC002413

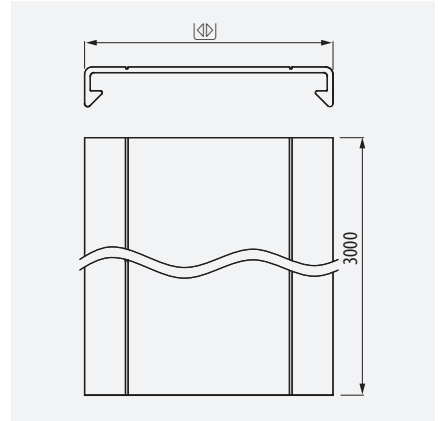


Cover



100 - 600			
⊕	Ref	kg/m	⊞
100	82003663	0,485	24
150	82003664	0,678	12
200	82003665	0,887	12
300	82003666	1,320	12
400	82003667	2,110	6
500	82003668	2,830	6
600	82003669	3,640	6

ETIM: EC002403

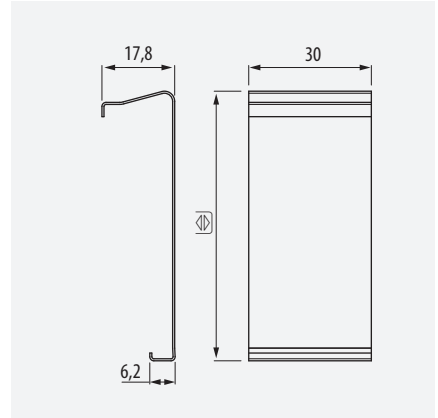


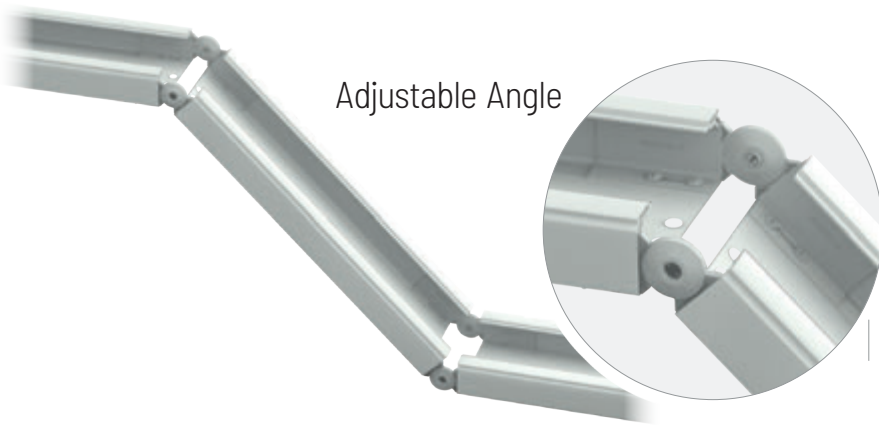
Cover fixing







60-100				
⊕	⊕	Ref	kg/u	⊞
304	60	81000296	0,011	50
	100	81000311	0,015	50

ETIM: EC001002

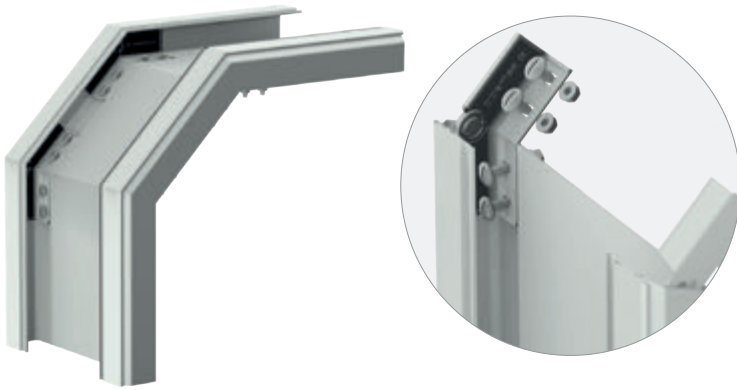






Adjustable Angle

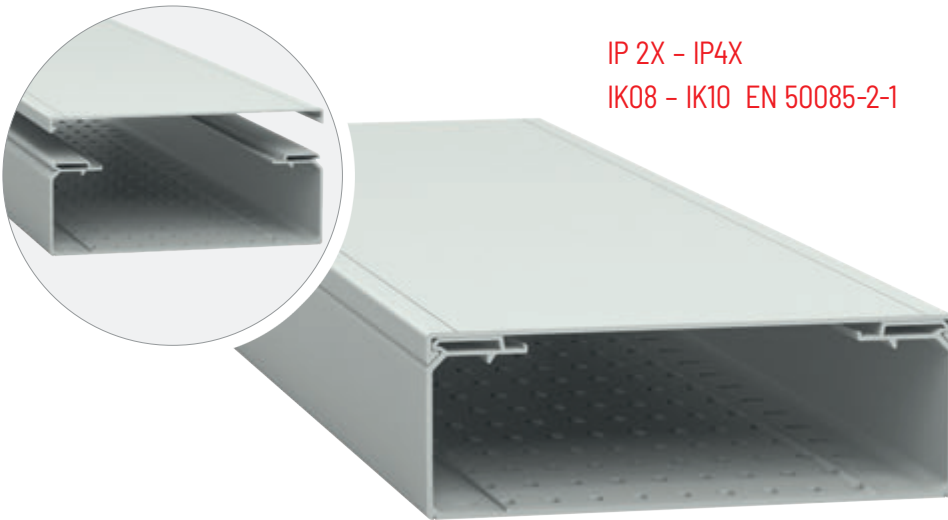
	x2		12
	x8		12

15° - 30° - 45° - 60° - 90°



	x8		12
---	----	---	----

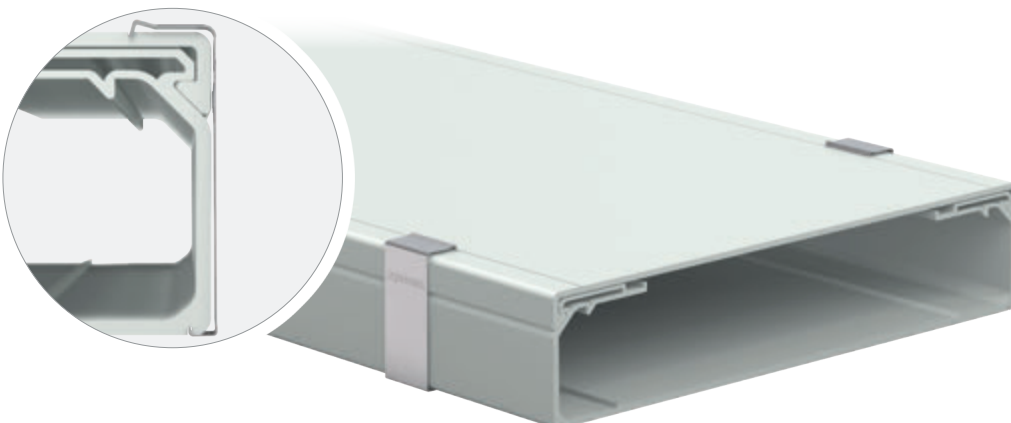
Creating risers of any angle or radius



IP 2X - IP4X
IK08 - IK10 EN 50085-2-1

Protection and maximum tightness for cables

Cable tray + cover = Cable trunking EN 50085



Mechanical protection.
IK10 / 20J
Opening with tool



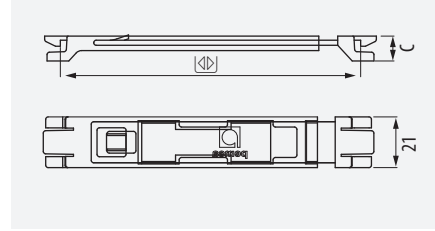
cover retainer



• 100 - 600				
◀▶	Ref	kg/u	◻	
100	81000351	0,004	24	
150	81000291	0,005	12	
200-300	81000292	0,011	12	
400-500-600	81000293	0,014	12	

RAL 9010

ETIM: EC001936

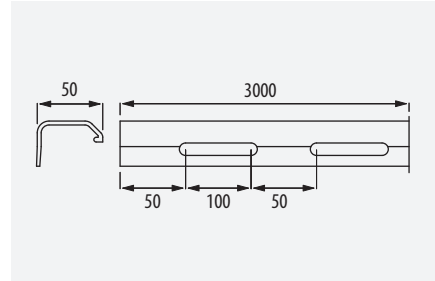


Divider



• 60-100				
◀▶	Ref	kg/u	◻	
60	82003661	0,430	36	
100	82003662	0,892	36	

ETIM: EC001000

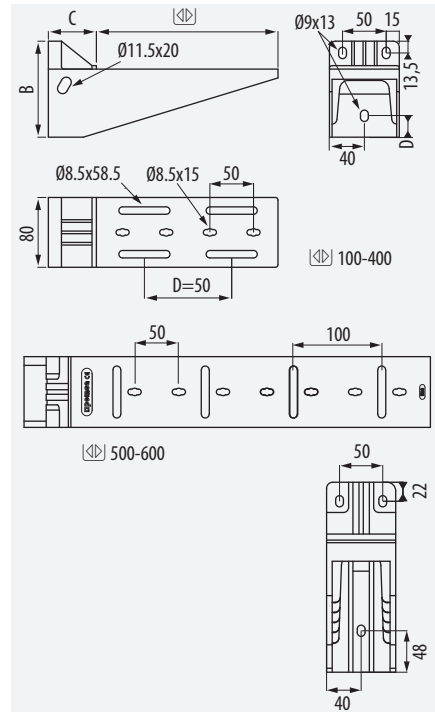


Cantilever



• 100 - 600						
◀▶	B	C	D	Ref	kg/u	◻
100	220	62	23	81000270	0,206	4
150	220	63	23	81000271	0,227	4
200	220	63	23	81000272	0,294	4
300	220	65	19	81000273	0,552	4
400	220	65	19	81000274	0,623	4
500		60	48	81000275	1,010	4
600		60	48	81000276	1,960	4

ETIM: EC000022

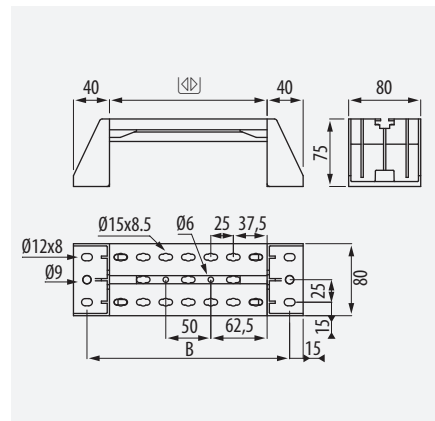


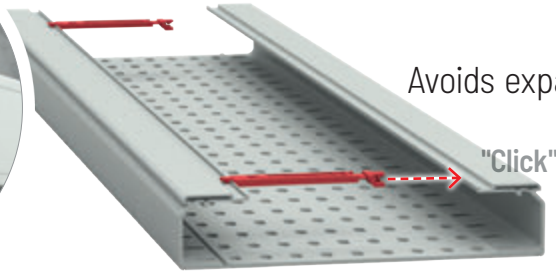
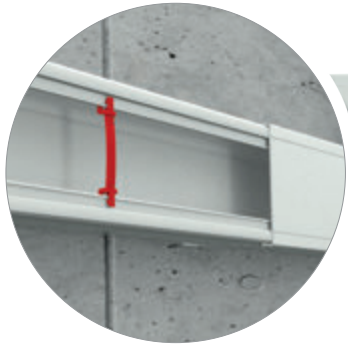
Suspension vertical support



• 100 - 600				
◀▶	Ref	kg/u	◻	
100	82003674	0,220	4	
150	82003675	0,248	4	
200	82003676	0,277	4	
300	82003677	0,344	4	
400	82003678	0,401	4	
500	82003679	0,482	4	
600	82003680	0,539	4	

ETIM: EC000022

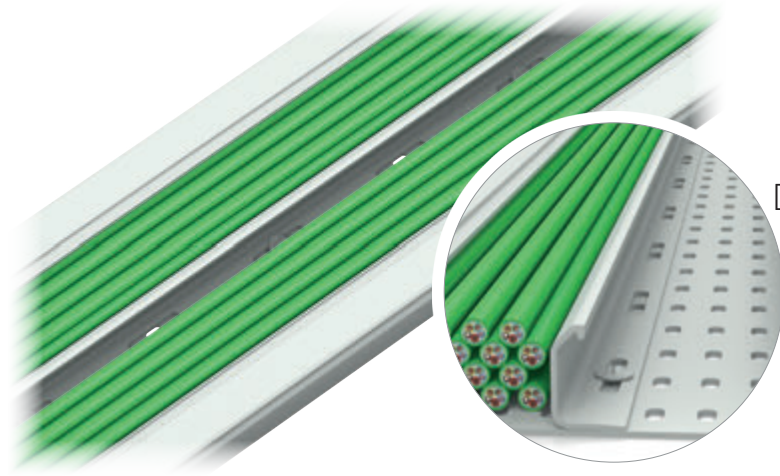




Avoids expansion and improves removal/assembly of the covers

"Click"

1 x m



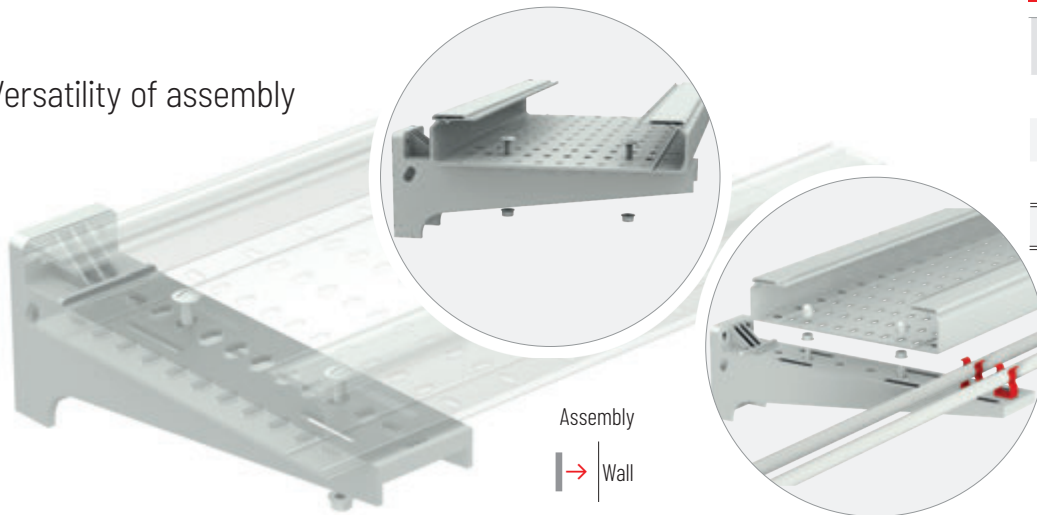
Division and organisation of cables



1 kit x m

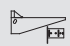


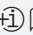
12

Versatility of assembly



Assembly

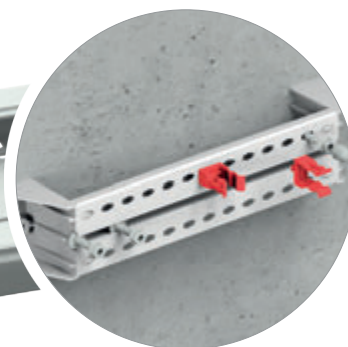
→ Wall

	
100-150	x1
200-400	x2
500-600	x3
 29	 12 / 18



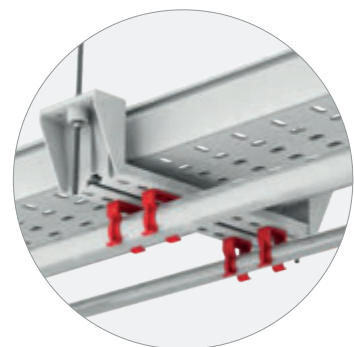
Assembly

↑ Floor installations



Assembly

→ Wall



Assembly

↓ Ceiling with threaded rods



metatray

ACC

pemsa

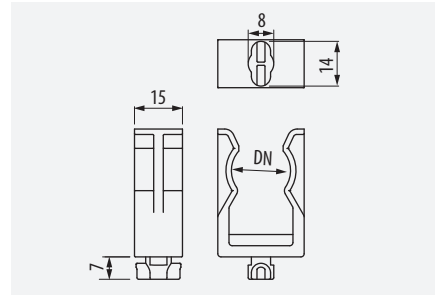
Conduit fixing clip



DN	Ref	kg/u	
16	81000277	0,005	50
20	81000278	0,006	50
25	81000279	0,007	50
32	81000280	0,007	30
40	81000281	0,011	20

RAL 9010.

ETIM: EC002320

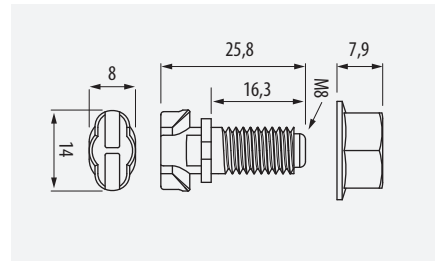


Joint Clip



M	Ref	kg/u	
M8	81000297	0,001	100

ETIM: EC003861

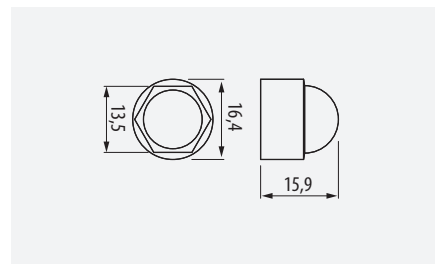


Screw protector M8



M	Ref	kg/u	
M8	81000401	0,0009	100

ETIM: EC002375

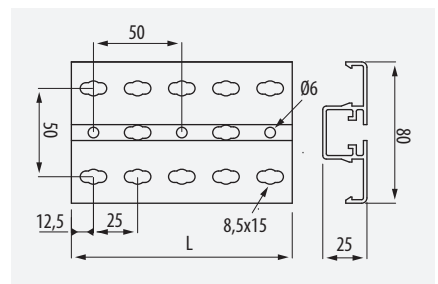


Profile

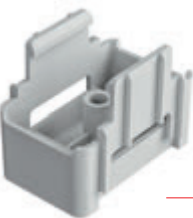


L	Ref	kg/u	
1000	82003670		24
2000	82003671		24

ETIM: EC000386

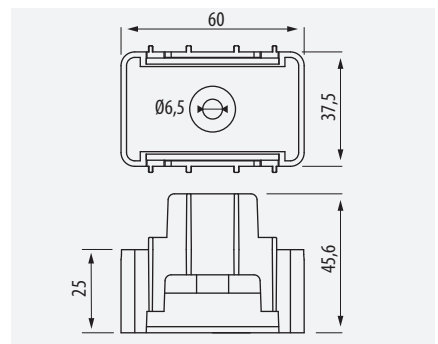


Elevating foot



Ref	kg/u	
81000294	0,026	20

ETIM: EC000022



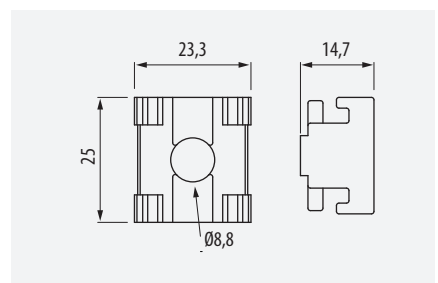
Red Profile plug

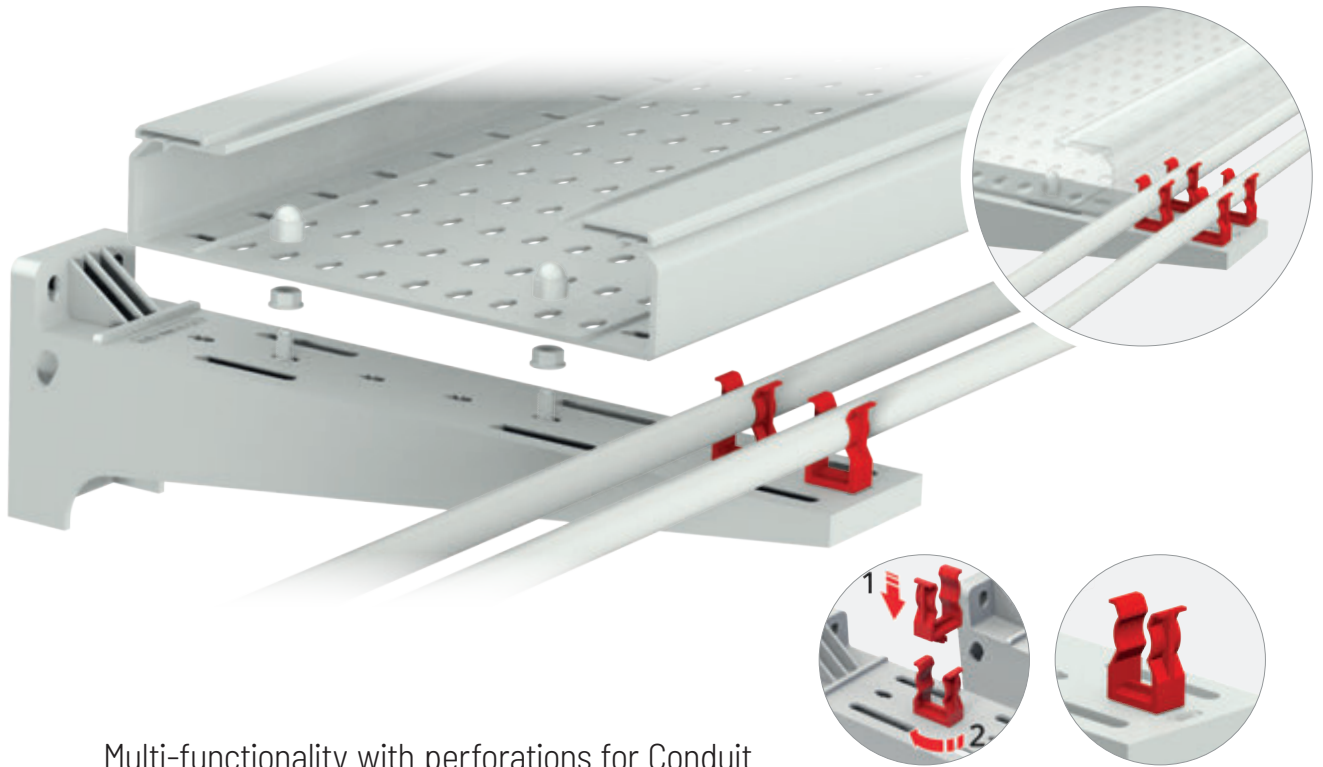


Ref	kg/u	
81000295	0,004	20

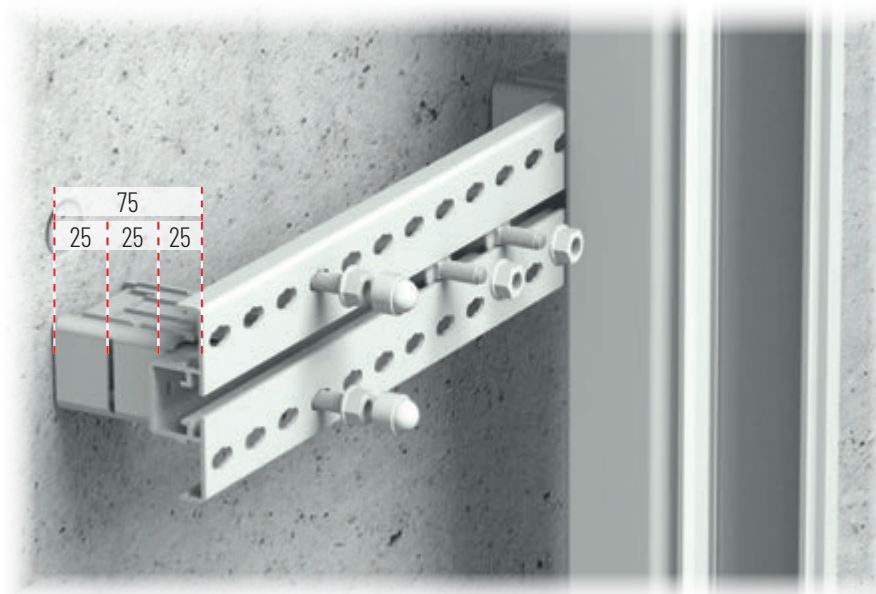
RAL 9010

ETIM: EC000475

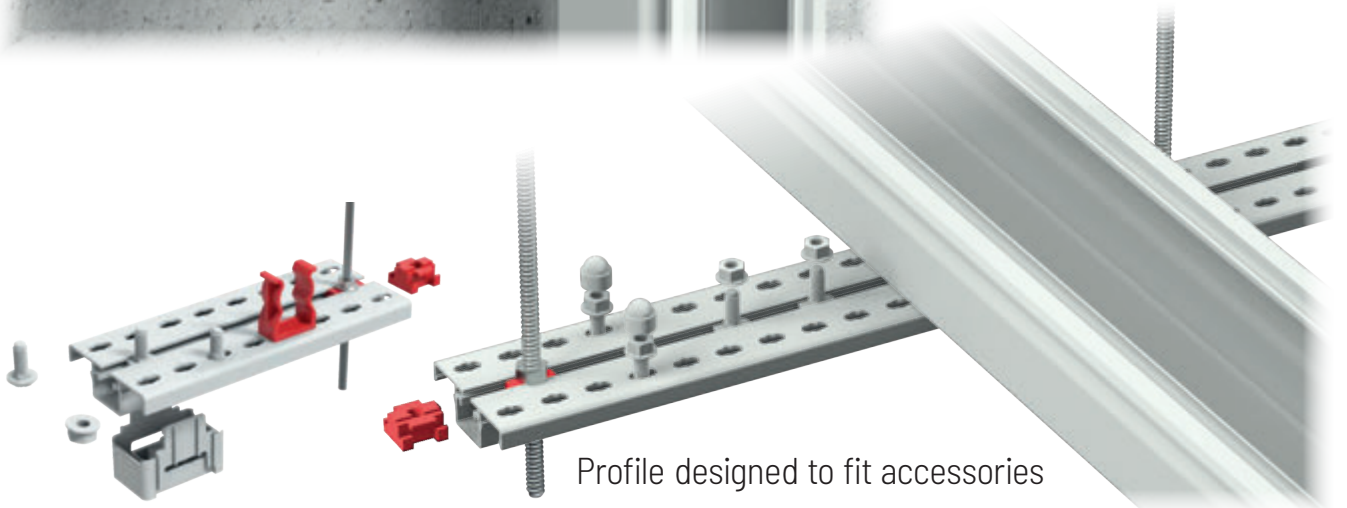




Multi-functionality with perforations for Conduit Clips and Clip Joint Kits



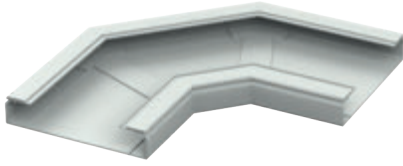
Stackable up to 2 heights. from 50 to 75 mm.



Profile designed to fit accessories



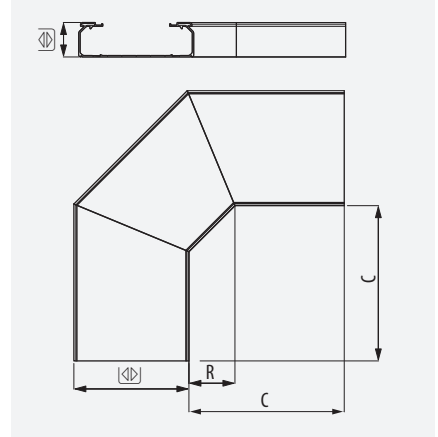
Insulating 90° bend



ETIM: EC002400



		60 - 100		100 - 600		
⊕	⊔	C	R	Ref	kg/u	⊞
60	100	270	80	82003722	0,672	2
60	150	270	80	82003723	0,898	2
60	200	270	80	82003724	1,197	2
60	300	270	80	82003725	1,994	2
60	400	270	80	82003726	2,680	1
100	200	345	100	82003727	2,164	2
100	300	345	100	82003728	3,073	2
100	400	345	100	82003729	4,218	1
100	500	365	100	82003730	5,552	1
100	600	365	100	82003731	7,275	1



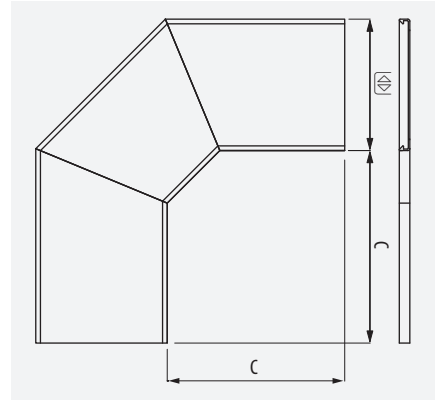
90° bend insulating cover



ETIM: EC001569



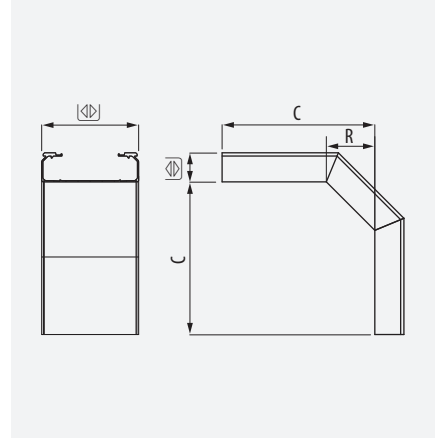
		60 - 100		60 - 600	
⊕	⊔	C	Ref	kg/u	⊞
60	100	270	82003732	0,264	2
60	150	270	82003733	0,402	2
60	200	270	82003734	0,559	2
60	300	270	82003735	1,129	2
60	400	270	82003736	1,632	1
100	200	345	82004067	0,674	2
100	300	345	82004068	1,340	2
100	400	345	82004069	1,906	1
100	500	365	82003737	2,652	1
100	600	365	82003738	3,893	1



Outside riser



		60 - 100		100 - 600		
⊕	⊔	C	R	Ref	kg/u	⊞
60	100	315	100	82003688	0,805	2
60	150	315	100	82003689	0,984	2
60	200	315	100	82003690	1,209	2
60	300	315	100	82003691	1,753	2
60	400	315	100	82003692	2,110	1
100	200	425	120	82003693	2,524	2
100	300	425	120	82003694	3,176	2
100	400	425	120	82003695	3,916	1
100	500	425	120	82003696	4,695	1
100	600	425	120	82003697	5,631	1



ETIM: EC002400

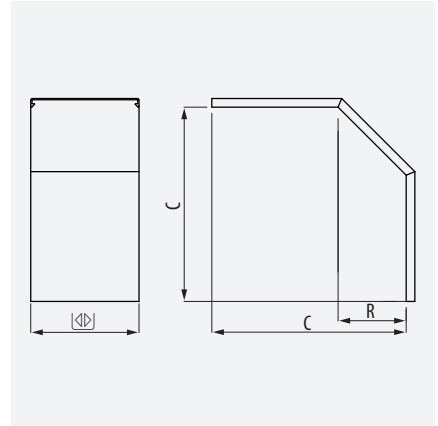
Outside riser insulating cover



ETIM: EC002402

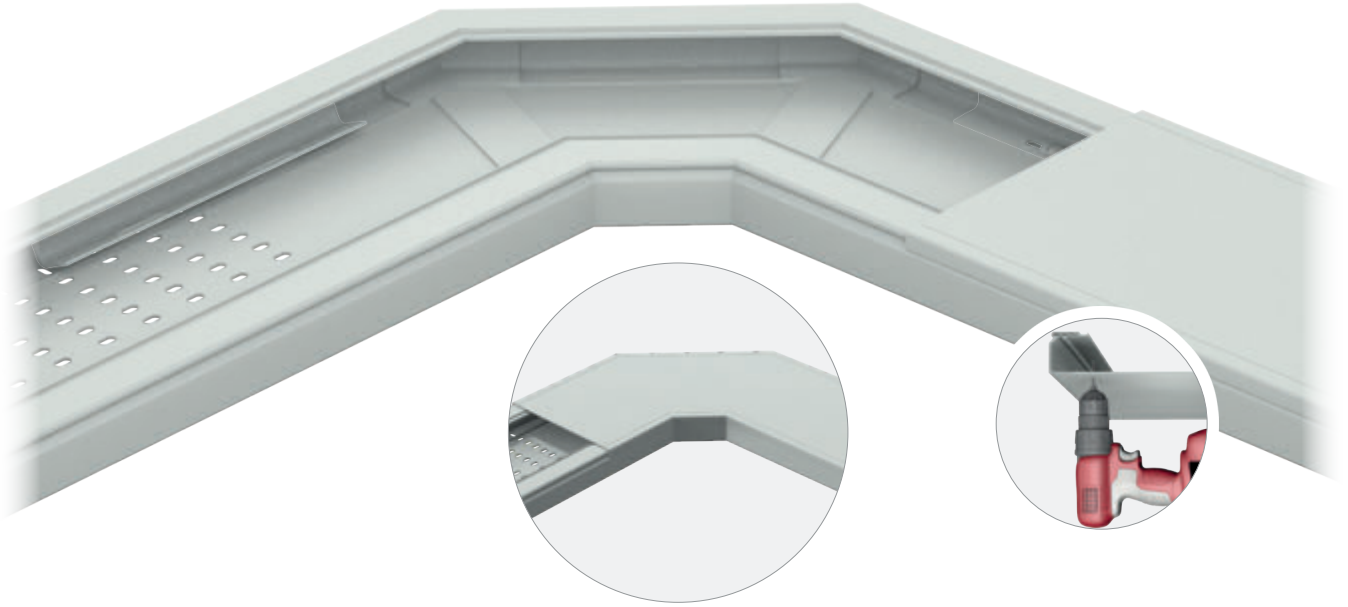


		60 - 100		100 - 600		
⊕	⊔	C	R	Ref	kg/u	⊞
60	100	0,264	82003698	0,300	2	
60	150	0,402	82003699	0,430	2	
60	200	0,559	82003700	0,562	2	
60	300	1,129	82003701	1,023	2	
60	400	1,632	82003702	1,343	1	
100	200	0,674	82004061	0,766	2	
100	300	1,340	82004062	1,396	2	
100	400	1,906	82004063	1,827	1	
100	500	2,652	82003703	2,453	1	
100	600	3,893	82003704	3,143	1	



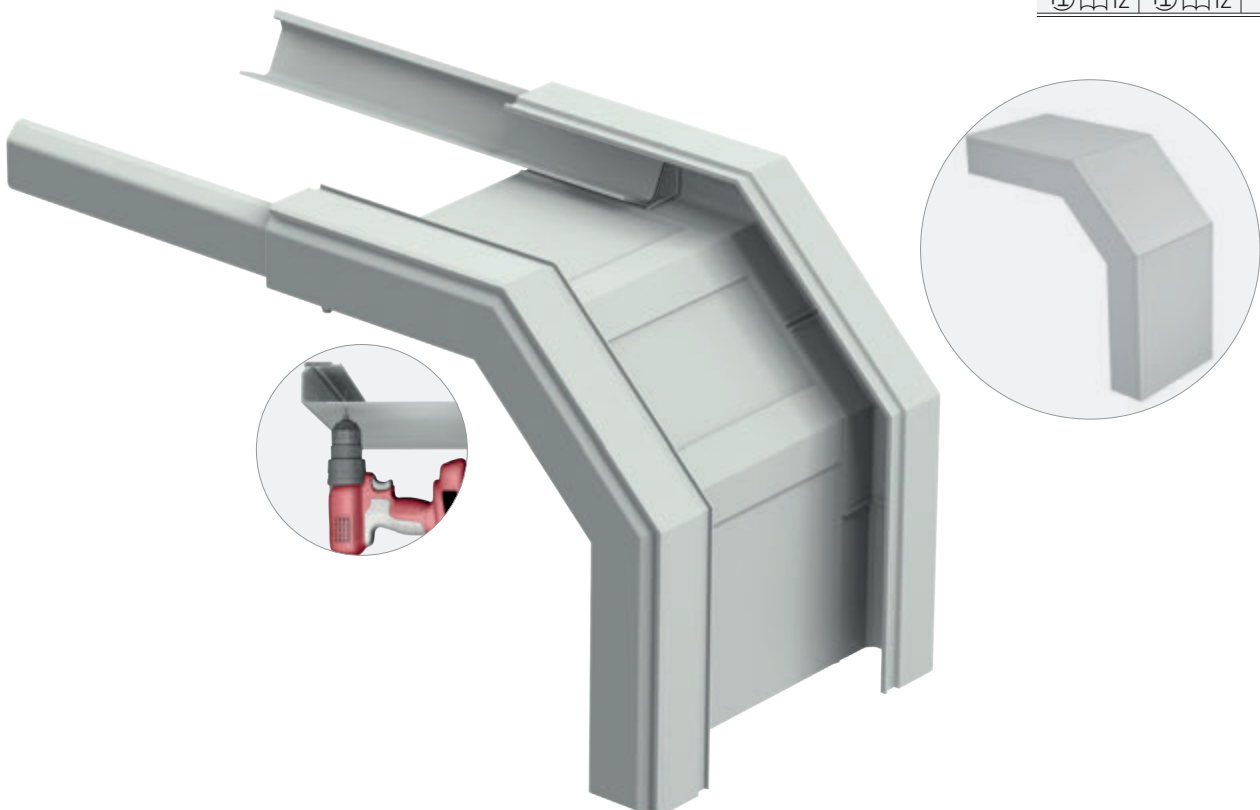


2	4	4
+1 12	+1 12	



Single piece item. Labour savings

2	4	4
+1 12	+1 12	

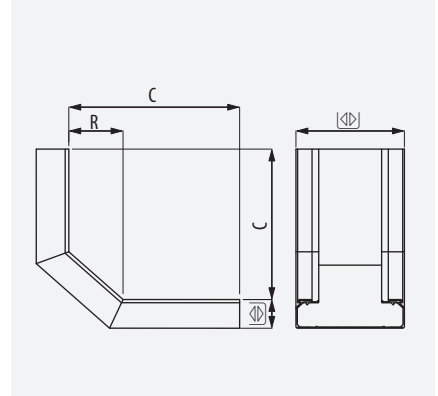




Inside riser



☐ • ☐ 60 - 100 • ☐ 100 - 600							
☐	☐	C	R	Ref	kg/u	☐	
60	100	315	100	82003705	0,817	2	
60	150	315	100	82003706	1,008	2	
60	200	315	100	82003707	1,248	2	
60	300	315	100	82003708	1,834	2	
60	400	315	100	82003709	2,225	2	
100	200	425	120	82003710	2,602	2	
100	300	425	120	82003711	3,317	2	
100	400	425	120	82003712	4,140	1	
100	500	425	120	82003713	4,997	1	
100	600	425	120	82003714	6,053	1	

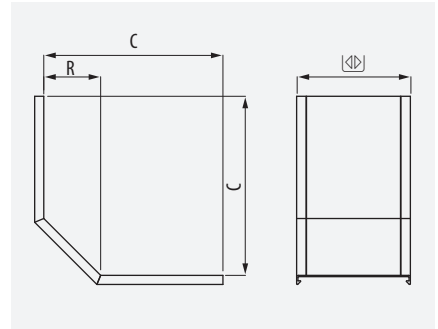


ETIM: EC002400

Inside riser Cover



☐ • ☐ 60 - 100 • ☐ 100 - 600							
☐	☐	C	R	Ref	kg/u	☐	
60	100	315	100	82003715	0,261	2	
60	150	315	100	82003716	0,373	2	
60	200	315	100	82003717	0,487	2	
60	300	315	100	82003718	0,880	2	
60	400	315	100	82003719	1,156	2	
100	200	425	120	82004064	0,640	2	
100	300	425	120	82004065	1,160	2	
100	400	425	120	82004066	1,520	1	
100	500	425	120	82003720	2,041	1	
100	600	425	120	82003721	2,610	1	



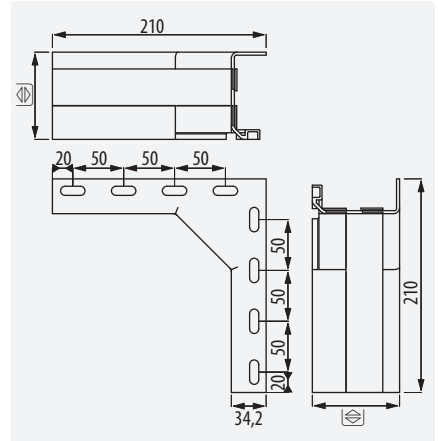
ETIM: EC002402

T-joint



☐ • ☐ 60 - 100				
☐	Ref	kg/u	☐	
60	81000288	0,192	1	
100	81000289	0,253	1	

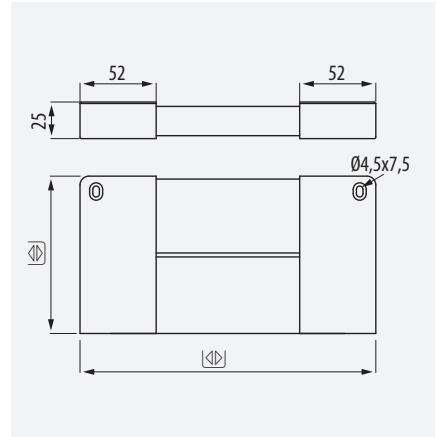
ETIM: EC002401



End cover



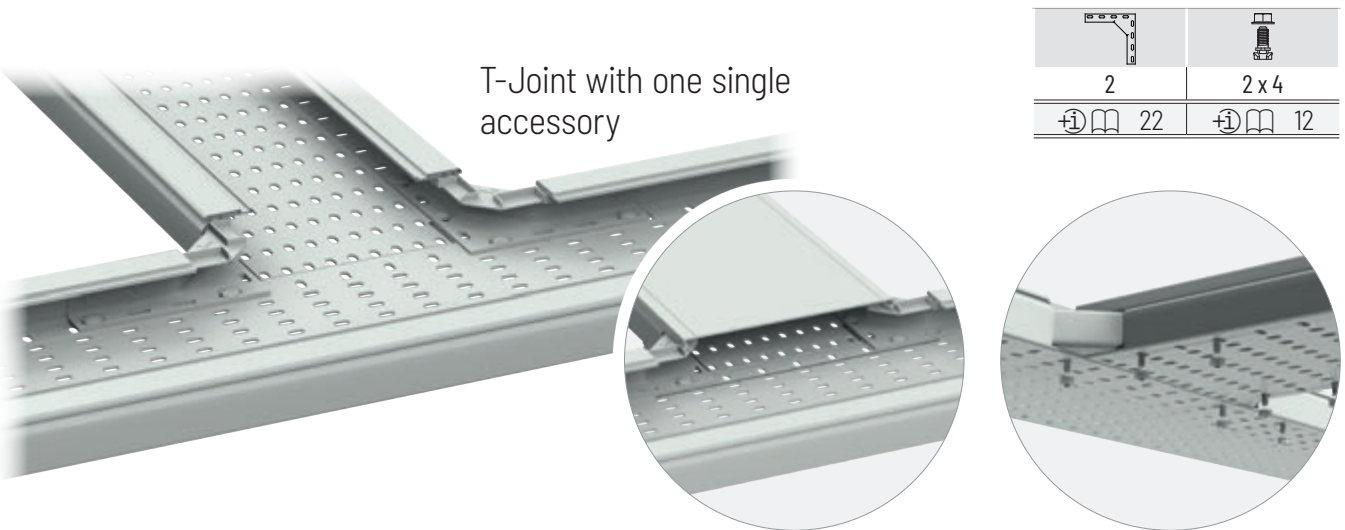
☐ • ☐ 60 - 100 • ☐ 100 - 600						
☐	☐	Ref	kg/u	☐		
60	100	82003681	0,061	4		
60	150	82003682	0,075	2		
60	200	82003683	0,091	2		
60	300	82003684	0,121	2		
60	400	82003685	0,151	2		
100	200	82003686	0,133	2		
100	300	82003687	0,198	2		
100	400	82003739	0,220	2		
100	500	82003740	0,264	2		
100	600	82003741	0,308	2		





2	4	4
+1 12	+1 12	

Single piece item. Labour savings



T-Joint with one single accessory

2	2 x 4
+1 22	+1 12



IP 2X - IP4X

Protection and maximum tightness



Technical data

	Raw Material
	Thermoplastic insulating material developed with own formulation. Ral 7035 Grey colour.
	Good resistance to corrosion and to chemical agents. ISO/TR 10358 y DIN 8061. (consult agents, concentration and temperature)
	Good performance outdoors and with exposure to UV rays. ANSI/UL 568
	Electrical insulating EN 61537 Insulating material. No earthing required. Dielectric strength EN 60243-1: 18±5 kV/mm
	Impact strength EN 61537: 20 J Cable tray 60x100: 10J EN 50085-2-1 Cable tray + cover: IK10
	IP-XX Protection (solids and liquids) IP2X (perforated cable tray) IP4X or IP44 (Solid cable tray)
	Free of pollutants and hazardous substances, RoHS III and REACH compliant, free of phthalates and silicones.
	Working loads EN 61537
	Reaction to fire EN 61537: Glow-wire test 960 °C. Non-flame propagating UL94: V0 Grade, no hot spots are generated away from the fire source. Low carbon dioxide and carbon monoxide emissions UNE 201010. Classification M1

Pemsa reserves the right to make changes and updates to the characteristics and data without these being expressed in the texts, tables and information set out in this document or catalogue.



Certifications and quality marks

Quality marks



EN 61537
EN 50085

N from AENOR certifying that they have met the requirements of the European standards, EN 61537, " Cable tray systems and cable ladder systems for cable management" and EN 50085 " Cable trunking systems and cable ducting systems for electrical installation", which specifies the safety conditions, tests, technical characteristics, etc., to be met by protective trays and channels.



IEC 61537

International certificate created within the International Electrotechnical Commission (IEC) that certifies product conformity to the IEC 61537 and EN 50085 product standards. This certificate makes it easier to obtain marks of conformity in other countries.



EN 50085

Declarations of conformity



EU Declaration of Conformity (CE marking), according to EN 61537 and Low Voltage Directive 2014/35 / EU.

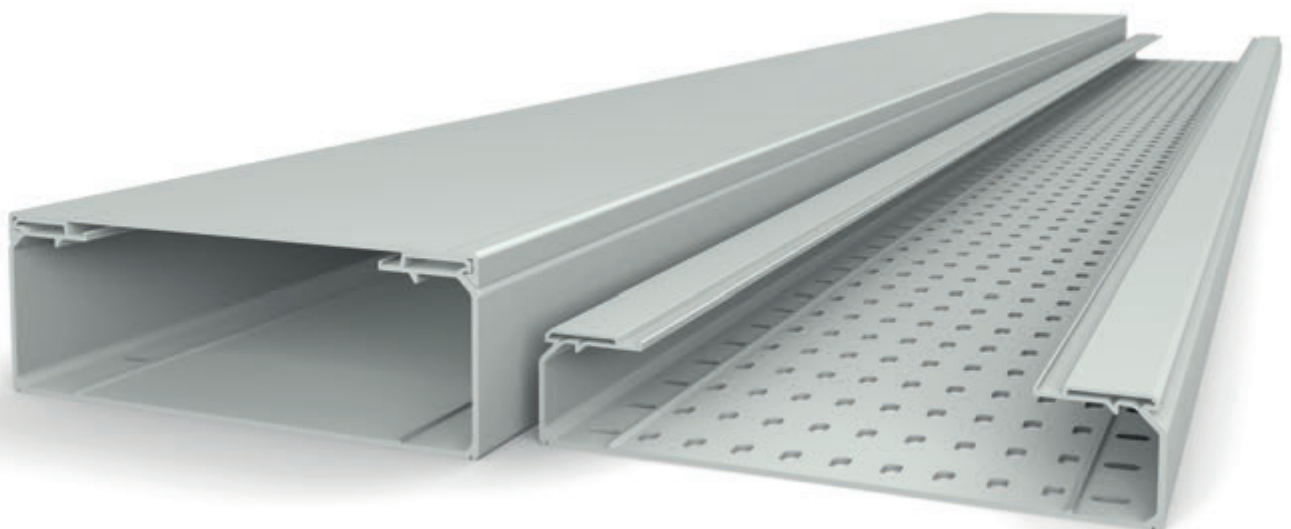


UKCA Declaration of Conformity (UKCA marking), according to BS EN 61537 and directive Electrical and Equipment (Safety) Regulations 2016 (S.I. 2016 No. 1101).

According to



Cable tray and protective cable trunking according to REBT*. ITC-BT 20 and 21 (Cable tray + cover)





Technical data



Insulating material

Electrical safety and reduced maintenance costs.

Dielectric strength
EN 60243-1: 18±5 kV/mm

Features	Benefits
Safety and protection for insulated conductors 450 / 750 V.	Minimisation of the risk of damage to conductors and increased electrical safety for the installation
Protection against indirect contacts: <ul style="list-style-type: none">• No equipotential bonding or earthing required.• It does not depend on the correct functioning of the differential circuit breaker.	Increased electrical safety for people and installations.
The equipotential bonding cable and terminals for connection to the earth circuit of the installation are not required.	Savings in material and labour costs Ease of maintenance and simplification of installation.

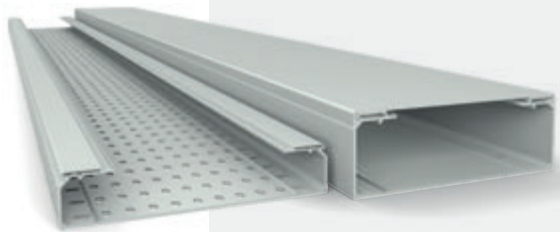


Corrosion Resistance

Performance in humid and corrosive environments

The specific formulation developed by Pemsa provides excellent corrosion performance for Metatray cable trays. The following table shows the suitability for various environments and their corrosiveness according to the international standard ISO 9223.

Corrosion resistance. Recommended for environments according to ISO 9223.



metatray[®]

C3	Food industry. Data Center. External urban areas. Industrial plants without a chemical environment.
C4	Tunnels, heated swimming pools. Industrial plants and External industry. Solar plants in humid or inland coastal areas.
C5	Chemical and near-chemical industries, ports and shipbuilding industry
CX	Offshore platforms, Chemical and industrial plants in tropical areas.



Outdoor performance and exposure to UV radiation.

The raw material developed by Pemsa for its insulating trays complies with the UL 568 standard, meeting the test and being defined as a material suitable for outdoor use.

This allows us to recommend the Metatray range for outdoor applications and outdoor environments such as solar roofs, renewable energy or industrial environments.





Technical data



Impact strength

Features and mechanical protection

EN 61537 impact test at minimum declared temperature.

Pemsa's exclusive design on the thermoplastic material allows Metatray cable trays to provide excellent mechanical protection features and do not suffer deterioration when exposed to the minimum temperature of use as set out in the EN 61537 standard.

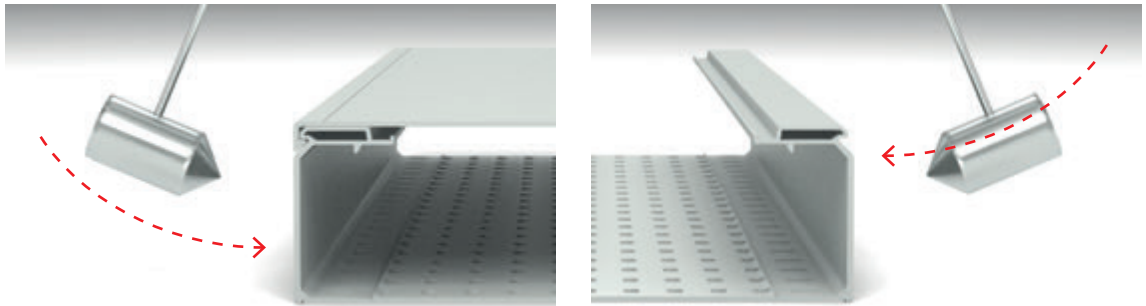
* 60x100: 10J.

Impact strength

20J*

Minimum temperature

-20°C



Impact test EN 50085-2-1.

Metatray cable trays with cover are considered to be protective trunkings as they are compliant with EN 50085-2-1.

A grade IK10 is achieved in the impact test at ambient temperature.

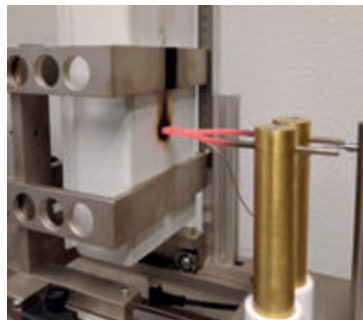


Fire reaction

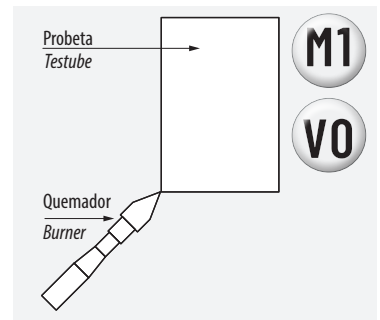
The development of Pemsa's own formulation in its cable trays overcomes the flame propagation and flammability tests defined in the EN 61537 and EN 50085 standards.



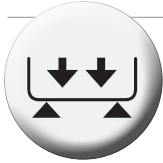
No propagation of a flame EN 61537



Incandescent wire test at 960°C
Does not transmit flame or drip.





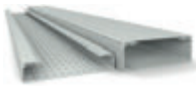
Flammability acc. to UNE 202010 and UL94
M1 class and Grado V0. non-flammable




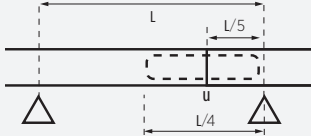
Working loads and dimensional data

Cable trays. Useful cross sections mm²

 x 	60x100	60x150	60x200	60x300	60x400	100x200	100x300	100x400	100x500	100x600
mm ²	4666	7183	9692	14869	19934	16611	25229	33825	42360	50917



Safety working load test conditions EN 61537

Temperature	40°C	60°C
 Support Span	1,5 m	1 m
Longitudinal deflection	Less than 1% support span	
Transverse deflection	Less than 5% of the cable tray width	
Placement of joints	$(L/4) > u > (L/5)$ 	
Factor of safety without collapse	1.7 times the declared safety working load	

Safety working loads in the process of certification. Further information, please contact with PEMSA technical department.

Brackets

Safety working load test conditions EN 61537



Temperature	40°C	60°C
Admissible deflection	Lower than 5% of the length of the support	
Overload without collapsing	1.7 times the safety working load declared	

Safety working loads in the process of certification. Further information, please contact with PEMSA technical department.

Additional features



Product marking and identification

- Allows perfect identification directly of all the elements of the range.
- Sustainable. With cardboard boxes and bags made from 100% recycled material.





pemsa 82003644 METATRAY PERFORADA AISLANTE 60X300 EN 61537 EN 50085



Identification labels

Allows perfect identification of all the ranges.

- Facilitates storage.
- Allows product identification during the entire manufacturing process.
- Includes the following: QR code with linked technical sheet, 13-digit EAN bar code, reference number, the units it contains and part dimensions.

pemsa	Ref: 82003650	12 m
	METATRAY PERFORADA METATRAY PERFORATED	
		0123456789  0 123456 789012
	A 60 B 200	SYSTEM/COLOUR GRIS/GREY RAL 7035
		



Distinctive and sustainable packaging

- Allows perfect identification of all the elements of the range.
- Sustainable. With cardboard boxes and bags made of 100% recycled material.
- Guarantees maximum protection and perfect storage.



ETIM product classification

All products in this catalogue have been assigned an international product classification code according to the last edition of ETIM standard.



Renewable energies



Service & retail construction



Water treatment



Electric vehicle



Marine industry



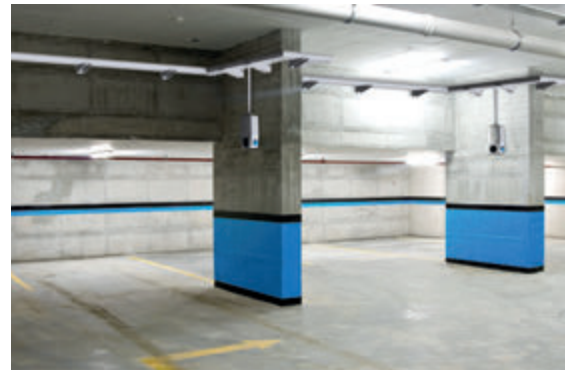
Railway industry



Offshore, ports



Petrochemical industry



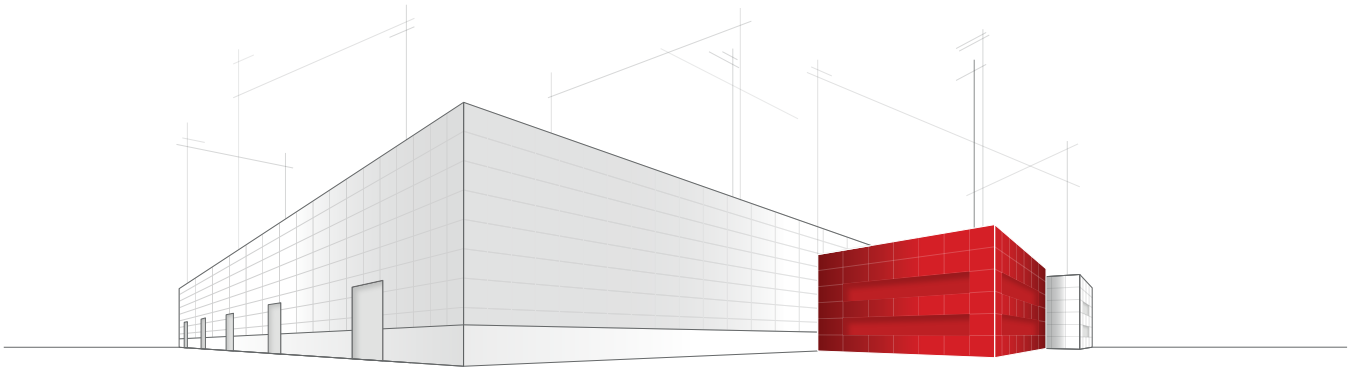


A series of horizontal lines for writing, spanning the width of the page.





Digital



DIGITAL PLATFORM **Expertone** Learning Platform by **pemsa**



APP

CATALOGUE ONLINE

Quick and easy access to all of Pemsa Products

Download our App where you can access our Online Catalogue and also scan the QR Codes that you can find inside Catalogue nº 505.



BIM



Download 3D BIM files in Autodesk® REVIT format

CLASIFICACIÓN ETIM:

All of our product catalogue is classified under this International standard



CALCULATION AND SIZING OF CABLE TRAYS
New calculation tool and sizing of cable trays



Pemsa Cable Management, S.A.



C/ Galileo Galilei 22 - 24. P.E. La Garena
28806, Alcalá de Henares. Madrid. España
Tel.: +34 91 802 34 88
info@pemsa-rejiband.com
www.pemsa-rejiband.com

Customer Service

Tel.: +34 91 802 01 20
atencionalcliente@pemsa-rejiband.com

International Area

C/ Galileo Galilei 22 - 24. P.E. La Garena
28806, Alcalá de Henares. Madrid. España
Tel.: +34 91 802 01 20
export@pemsa-rejiband.com

Branches



UK

1 Sussex Avenue
Leeds LS10 2LF
Tel.: +44 113 277 9090
sales@pemsa.co.uk
www.pemsa.co.uk



Portugal

Estrada de Polima, 1007 - 2ºK
2785-543 São Domingos de Rana. Portugal
Tel.: +351 21 4445725
pemsa.portugal@pemsa-rejiband.com



France

12, Rue de la Closerie, ZI de Clos aux pois
Bat G. 91090 LISSES. France
Tel.: +33 01 60 86 75 65
service-client@pemsa.fr
www.pemsa.fr



Latinoamérica

Vía Funza - Siberia, Km 1,5
Parque Ind. VIC - Bodega 1.
FUNZA (Bogotá) - COLOMBIA
Tel.: +57 1 823 7502
customerservice@pemsa.com
www.pemsa.com.co